

BULLETPRINTED BRANDED ENVELOPES

Contacts - Paul Kerfoot and Tracey Parry

T: 08701 203 025

www.bulletprint.co.uk sales@bulletprint.co.uk

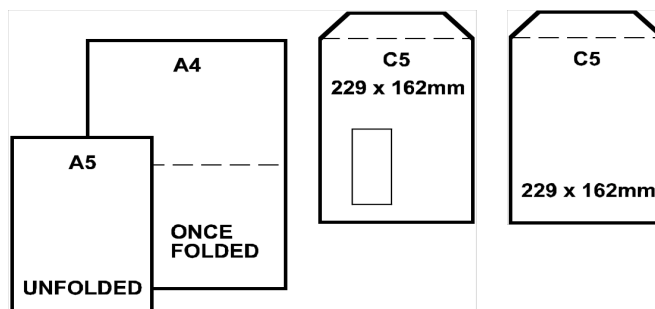
REF: BE 2.0 April 08

C5 Two Colour Printed Envelopes

C5 Pocket, white, self seal **WITH** or **WITHOUT** window - 2 colour print.

(One colour flap printing included - window position TBC).

Quantity	Price / 1,000
1,000	£170
2,000	£96
3,000	£71
5,000	£52
6,000	£47
8,000	£42
10,000	£38
20,000	£30
50,000	£25



C5 Full Colour Printed Envelopes

C5 Pocket, white, self seal **WITH** or **WITHOUT** window - full colour (CMYK) print.

(one colour flap printing included).

Quantity	Price /1,000
2,000	£145
3,000	£104
5,000	£72
10,000	£52
20,000	£38

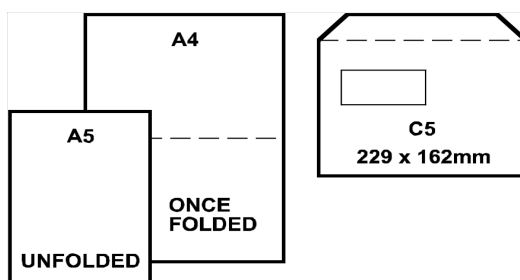
PLEASE SEE DIAGRAM ABOVE

C5 Two Colour Autofil Printed Envelopes

Autofil* C5 **Wallet**, white, **gummed WITH** window, 2 colour print.

Window size 45mm x 90mm (20mm in from left/60mm up from bottom).

Quantity	Price / 1,000
1,000	£159
5,000	£46
10,000	£37
15,000	£32
20,000	£30
25,000	£28
30,000	£27



*Autofil envelopes are especially designed for use with automatic mailing machines.

Contact:

Note: DL and C4 Printed Envelopes - PTO

Bulletprint, The Design Exchange, Little Germany Urban Village, BD1 5BD

Tel: 08701 203 025 Fax: 08701 220 112

Contacts:

Paul Kerfoot - Print Director / Branding Specialist - paul@bulletprint.co.uk

Tracey Parry - Print Manager - tracey@bulletprint.co.uk

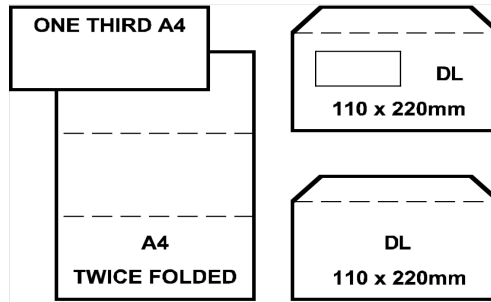
Bulletprinted products include: Envelopes, stationery, folders, cd's, displays, merchandise

DL Two Colour Printed Envelopes

DL Wallet, white, self seal **WITH** or **WITHOUT** window - 2 colour print.

(Note: Window position TBC).

Quantity	Price / 1,000
1,000	£156
2,000	£85
3,000	£61
5,000	£42
6,000	£37
10,000	£28
20,000	£22



FLAP NOTE DL

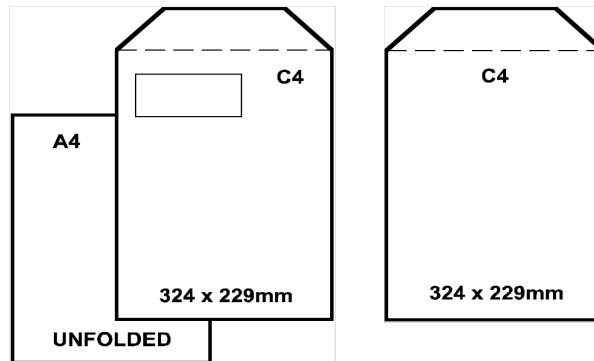
Flap printing price per 1,000 - £1.25 for 1 colour OR £2.10 for 2 colour

C4 Two Colour Printed Envelopes

C4 Pocket, white, self seal **WITH** or **WITHOUT** window - 2 colour print.

(One colour flap printing included - window position TBC).

Quantity	Price / 1,000
1,000	£187
2,000	£111
3,000	£86
5,000	£66
6,000	£61
8,000	£56
10,000	£53
20,000	£46
50,000	£43



C4 Full Colour Printed Envelopes

C4 Pocket, white, self seal **WITH** or **WITHOUT** window - full colour (CMYK) print.

(One colour flap printing included).

Quantity	Price/1,000
2,000	£171
3,000	£136
5,000	£91
10,000	£70
20,000	£51

PLEASE SEE DIAGRAM ABOVE

Notes:

1. All prices quoted are on 90gsm high, white stock.
2. The minimum (recommended) order is x2,000.
3. Digital artwork is an extra service available costing from £50 per item. POA.
(This as a one-off charge only applicable to the initial order, not future reprints).
4. For new customers a 50% deposit may be required on all initial orders.
5. We also require an official written order confirming all details.
6. For print orders under £300 exc.VAT, please add £14.95 per order to cover administration/set up fees.
7. Delivery times: Initial print job 7-10 working days. Reprints 4-5 working days.